

Your how-to guide #6

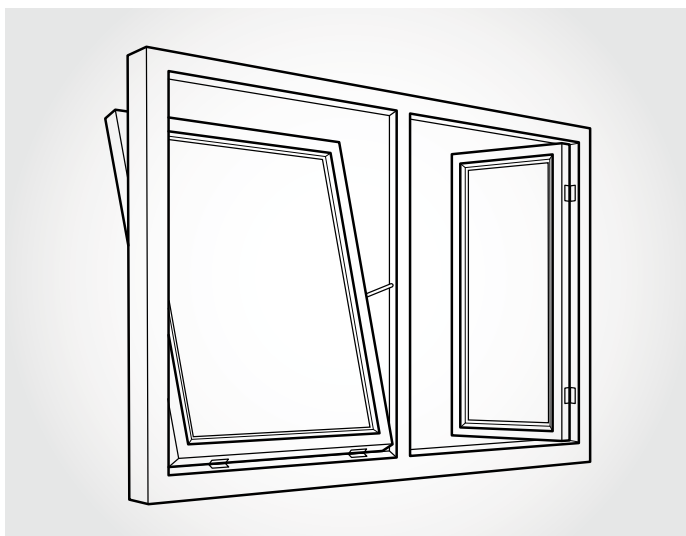
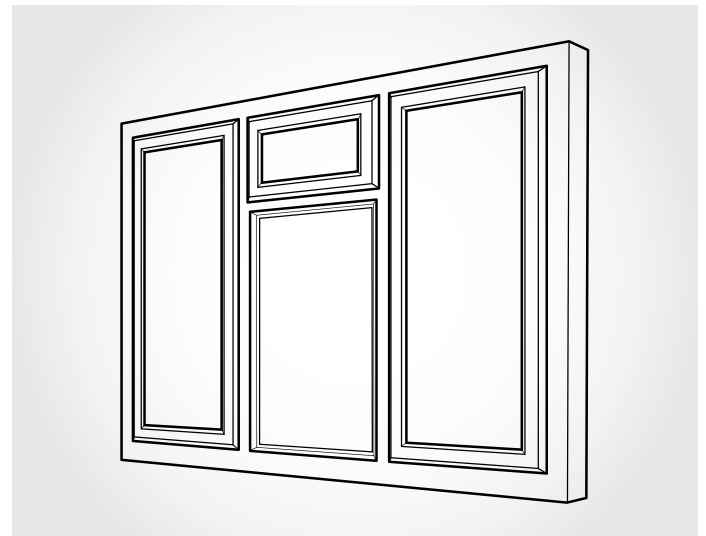
WINDOW TYPES

www.reynaersathome.co.uk/howtoguides

Whether you are choosing windows for a new house, an extension or a renovation, one of the first decisions you will have to make is to choose the type of window and what the window is made from. Most suppliers will only talk about the windows that they offer. This guide provides an impartial and comprehensive summary of all the options that are available.

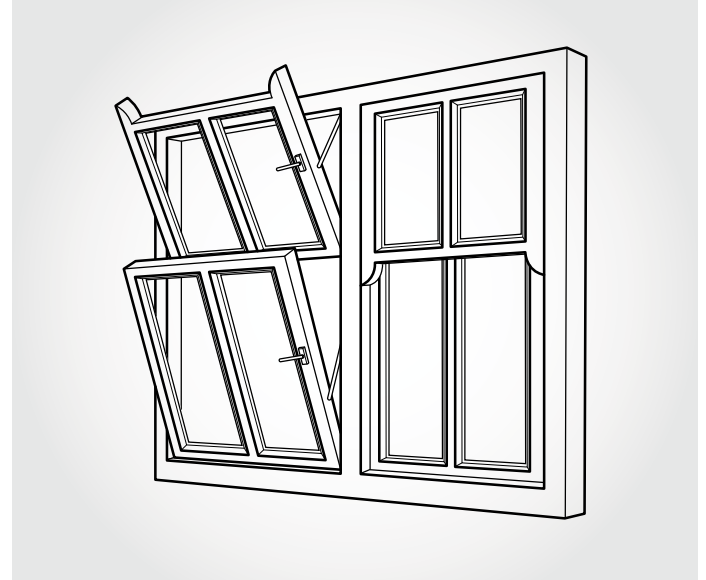
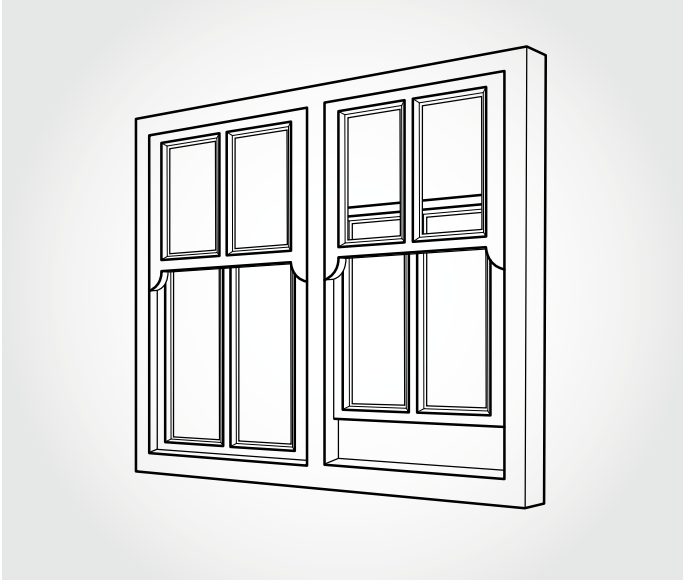
Casement window

This is the most common type of window used in UK housing. The windows are usually divided into several sections or 'inserts' that open outwards. Opening windows are usually hinged to the side or the top. Casement windows can be modern or traditional in appearance.



Tilt/turn window

This is a type of window most associated with Continental Europe. Typically these inward opening windows are designed with a smaller number of large inserts and tend to look more modern. Turn the handle through 90° and the window tilts inwards on the bottom hinge; turn the handle through 180° and the window swings inwards on its side hinge.

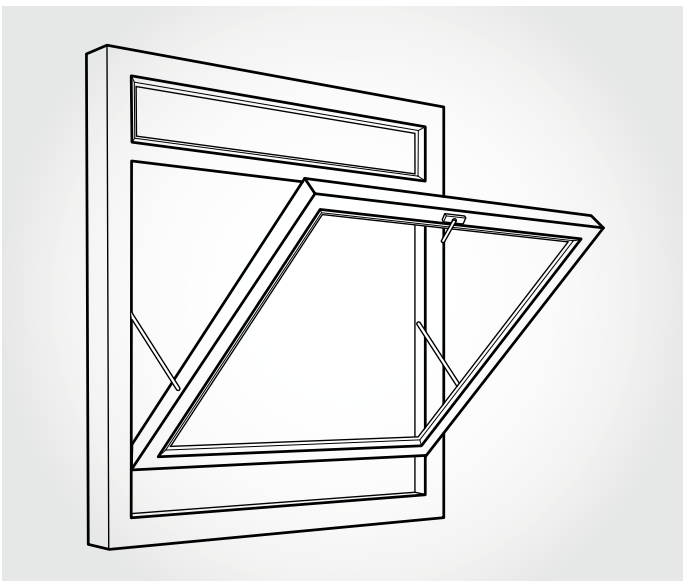


Sliding sash window

Used widely in Georgian, Victorian and Edwardian period homes, the style of the original box sash window remains popular, particularly in the more traditional properties in the UK. There are now a number of more modern interpretations of the original:

- In keeping with the original design, weights are suspended on cords and housed in the box outer frames. The weights counterbalance the weight of the opening window.

- A more modern alternative is available where the weights are replaced with a spring balance instead. This has the advantage of reducing the thickness of the outer frame.
- The dual turn window (above) looks very similar to the original box sash window when closed, but the top and bottom sections of the window do not slide. Instead they open on hinges that allow the windows to be rotated about a horizontal axis for easy cleaning.

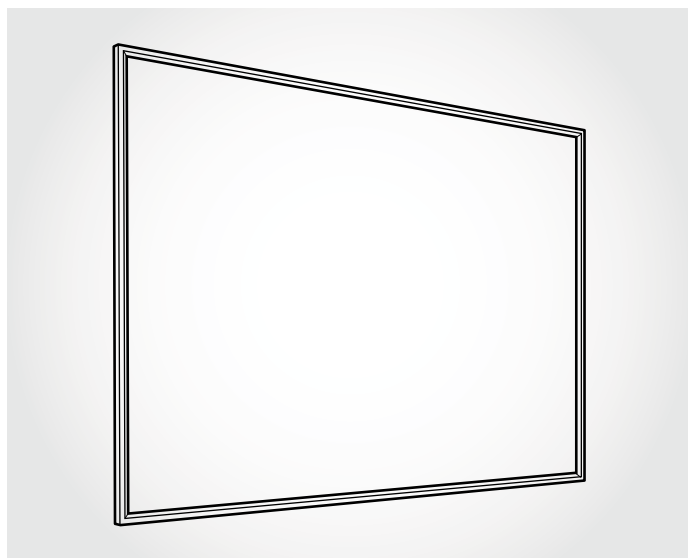
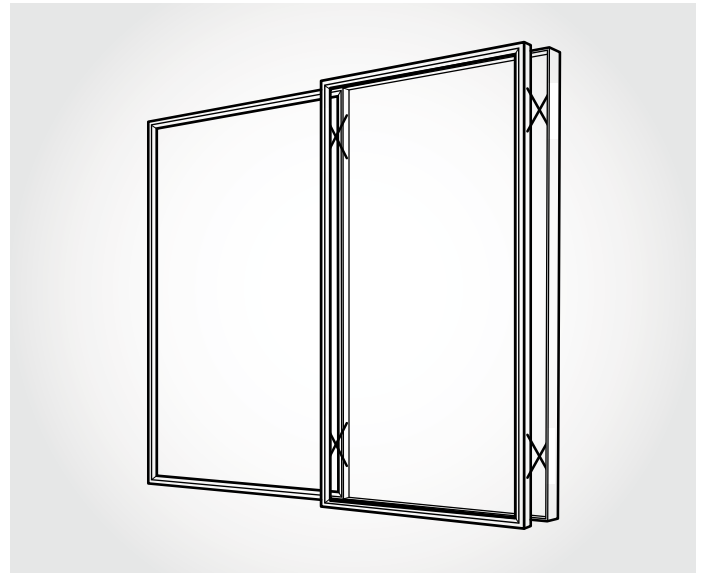


Fully reversible window

Primarily designed for flats, these windows usually have a simple design and can be fully rotated for easy cleaning from the inside.

Parallel opening window

Seldom used in domestic situations, the parallel opening window is most commonly seen as part of a curtain wall facade. The window is mounted on 'scissor hinges' that enable the window to open by moving outwards on all sides, keeping in the same plane as the surrounding wall.

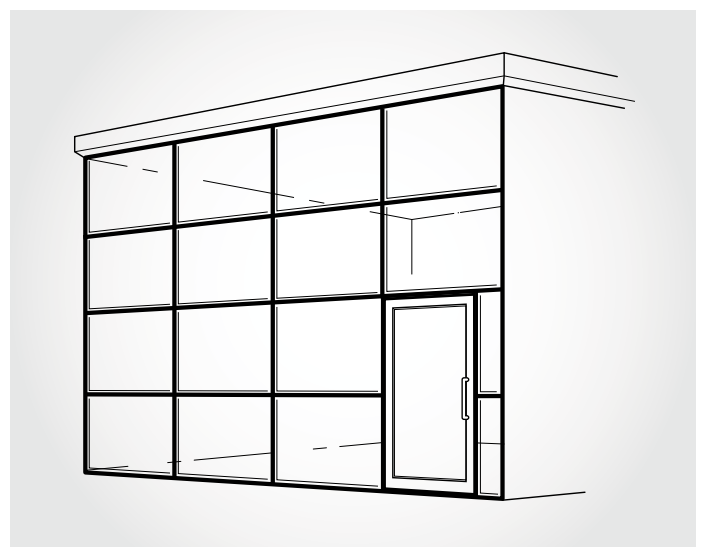


Fixed light

A fixed light or fixed window can be made to complement any of the opening window types described in this guide. They can be very large as the maximum size is not limited by the weight a hinge can carry.

Curtain wall

Curtain wall is a glass facade most often associated with commercial buildings like office blocks. On a smaller scale, curtain wall can have some very striking applications in domestic properties, particularly in creating a double height atrium or stairwell.



To find out more please email
homeuk@reynaers.com or call **0121 421 9707**

To view and download more how-to guides, www.reynaersathome.co.uk/howtoguides